



First Solar FS Series 4 Module Clip Compatibility

Compatibility of Alusin Solar Series 4 Clip with FS Series 4 Modules

Mounting clips used with First Solar FS Series 4 module laminates must comply with the minimum technical and mechanical requirements for mounting systems required by First Solar (as described in First Solar document PD-5-320-04). In addition, the clip must satisfy the requirements of the First Solar mechanical load Test according to procedures defined in IEC61646 Ed. 1 10.15/16.

The Alusin Solar Series 4 Clip in conjunction with FS Series 4 module laminates has successfully met the First Solar mechanical load test. The proposed mounting clip design in conjunction with FS Series 4 module laminates also meets the technical requirements concerning clip design that are specified in document PD-5-320-04 (see Figure 1 and Figure 2 below).

Therefore, the Alusin Solar Series 4 Clip in conjunction with FS Series 4 module laminates is approved for use as long as the mounting system complies with First Solar's technical and mechanical requirements for mounting systems, as described in document PD-5-320-04.

Clip Length: 80mm

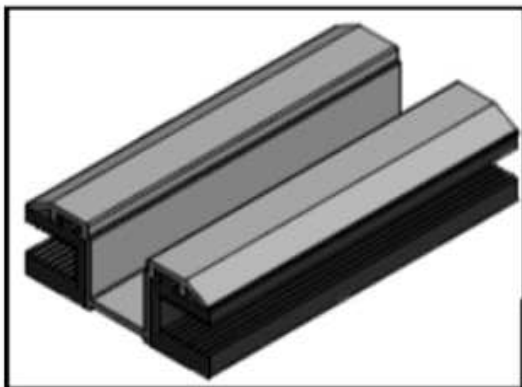


Figure 1: Alusin Solar FS4MID80 Mid clip

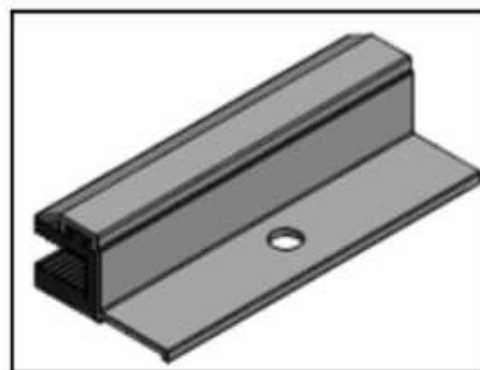


Figure 2: Alusin Solar FS4END80 End clip

Timo Moeller
Global Director – Customer Support, Product Field Performance & Commitments